

Sensenich—the name that's been right on the nose of the world's leading fixed pitch, light sport and experimental aircraft and unmanned aerial vehicles—is proud to bring its newest line of propellers to the light sport and experimental category. This breakthrough, adjustable composite propeller line delivers a host of new advantages:

■ By design, these props are stronger than similar props. Their stronger materials allow the propeller's weight to aerodynamically optimize flight.

■ The props' carbon construction minimizes their susceptibility to the cumulative effects of harmonic vibration damage.

■ Sensenich's composite props are pitch adjustable with built-in stops to prevent the selection of any inefficient pitch.

One of America's most experienced propeller manufacturers, Sensenich introduced composite props to the airboat market a decade ago. Sensenich brought the fun, performance and cost-savings of these lightweight, precision props to those pilots in 2004, after years of leading the light aircraft and experimental aircraft market. This introduction followed years of careful testing of each propeller on each engine type.

Enter the World of 21st Century Flight.

Now's the time to make the move to the hottest concept to hit sport aviation in years. Save money on fuel and improve your flying experience today!

To learn more, visit Sensenich Propeller online or talk to one of our distributors. They're also available on our web site.



Sensenich Propeller Manufacturing Company
14 Citation Lane, Lititz, PA USA 17543-7604
00.1.717.569.0435
www.sensenich.com

The prop that's protecting our troops.



New from Sensenich!

Lighter weight
Easier to navigate
Less expensive to fly

Introducing a Better Propeller for Your Light Sport or Experimental Aircraft.



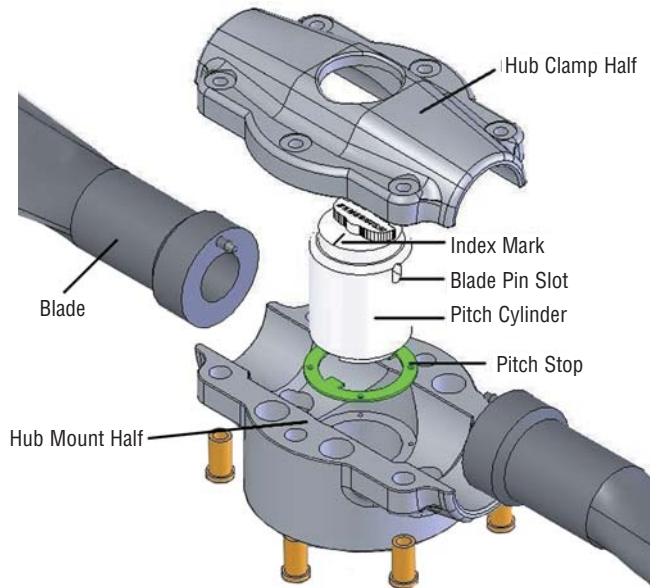
**Sensenich.
Right on the nose.**

www.sensenich.com



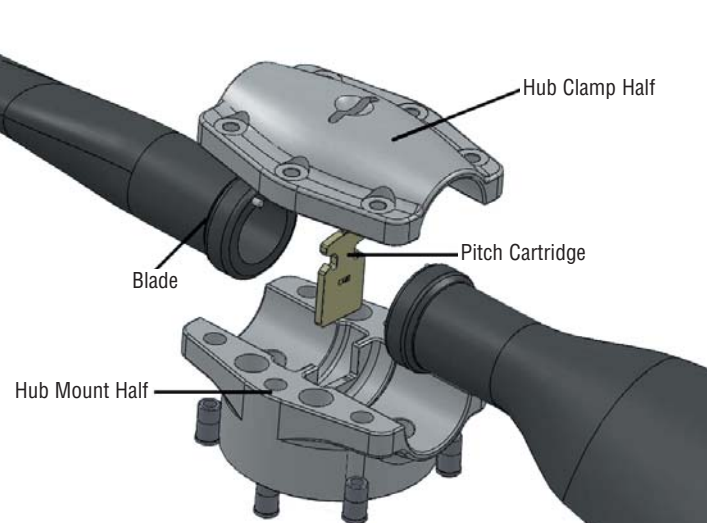
Featuring Revolutionary Sensenich EZ Hub Systems.

Sensenich's new composite propellers work with one of Sensenich's three, all-new hub systems. Featuring patent-pending technology, they are much simpler to use, allowing users to accurately set a pitch without the use of a protractor, special tools or gauges.



Sensenich's new **Pitch Cylinder Hub System** allows its users to set a broad range of pitches, using the system's index mark as a reference point when making adjustments. They adjust 16 degrees in pitch, affording maximum performance within an efficient aerodynamic envelope. The blade pins lock into the blade pin slot of the pitch cartridge, allowing the blades to move back and forth in tandem for ease of setting pitch.

With our new **Pitch Cartridge System** the user can choose from a wide gamut of pitches and set a specific pitch. The blade pins lock into the spring-loaded pitch cartridge, and the pitch is set. To change the pitch, you simply loosen the clamp bolts, replace the pitch cartridge, lock the blade pins in the pitch cartridge and torque the clamp bolts.

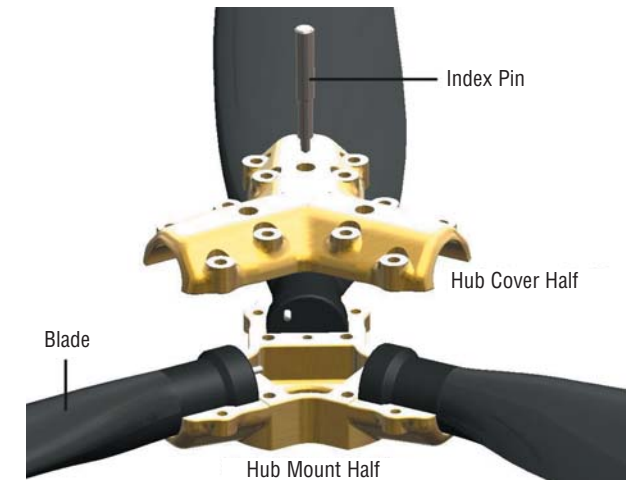


The Expanding New Line of Sensenich Composite Propellers

Engine	Propeller Model	Propeller Rating	Number Of Blades	Blade Type	Max. Diam.	Min. Diam.	Weight	Hub Notes	Spinner Diam.
Jabiru 2200	2A0J5R62HN	85 HP @ 3300 RPM	2	Tractor	62"	58"		3	8-11"
Jabiru 3300	2A0J5R64ZN	120 HP @ 3300 RPM	2	Tractor	64"	60"		3	8-11"
Jabiru 3300	2A0J5L62PN	120 HP @ 3300 RPM	2	Pusher	64"	60"		3	8-11"
Rotax 912, 912s, 914	2A1R5R64DN	115 HP @ 5800 RPM	2	Hi-Speed Tractor	64"	60"		3	12"
Rotax 912, 912s, 914	2A0R5R64EN	115 HP @ 5800 RPM	2	Hi-Speed Tractor	64"	60"		3	9-11"
Rotax 912, 912s, 914	2A0R5L69EN	115 HP @ 5800 RPM	2	Pusher	69"	64"		3	9-11"
Rotax 912, 912s, 914	2A1R5R70DN	115 HP @ 5800 RPM	2	Tractor	70"	66"		3	12"
Rotax 912, 912s, 914	2A0R5R70EN	115 HP @ 5800 RPM	2	Tractor	70"	66"		3	9-11"
Rotax 912, 912s, 914	2A1R5R75DN	115 HP @ 5800 RPM	2	Tractor	75"	70"		3	12"
Rotax 912, 912s, 914	3B0R5R68C	115 HP @ 5800 RPM	3	Tractor	68"	64"	10 lb	3	9-12"
Continental O-200-A	2EK/C72AE-0	100 HP @ 2750 RPM	2	Tractor	72"	70"	12 lb.	3	9.9"
Continental O-200-D	2EL/C72AE-0	100 HP @ 2750 RPM	2	Tractor	72"	70"	12 lb.	3	N/A
Continental IO-240	2EC/C72AE-0	125 HP @ 2800 RPM	2	Tractor	72"	70"	12 lb.	3	N/A
Lycoming O-235	2EK/C72AE-0	118 HP @ 2800 RPM	2	Tractor	72"	70"	12 lb.	1, 3	9.9"
Lycoming O-235	2EM6/C72AE-0	118 HP @ 2800 RPM	2	Tractor	72"	70"		2, 3	N/A

Hub Notes

- 1 Bolt circle is 4.375" on center. Check engine flange before ordering.
- 2 Bolt circle is 4.75" on center. Flange shaft only; no tapered shaft installation. Check your engine flange before ordering.
- 3 Features metal leading edge protection



Sensenich's new **Index Pin Pitch System** also lets its user select from a variety of pitches and set a specific pitch. The index pin is placed in the hub, and the blade pins are set against it. To change the pitch, you simply loosen the clamp bolts, place the new index pin in the hub, set the blade pins against the index pin, torque the clamp bolts and remove the index pin.